



*L'azienda che ti porta... in alto*

**D'Amico Officine s.r.l.**

**Sede Legale:** Via della Siderurgia, s.n. sett. B (Z.I.) - OSTUNI (Br)

**Punto Vendita:** Via Stazione, 1/3 - OSTUNI (Br) - Italy

Tel./Fax: +39 0831 338321 - Mobile: +39 339 2262897 - +39 338 3245219

www.macchinaridamico.com - email: info@macchinaridamico.com

# MONOELEVATORE CE H6



Monoelevatore h6 is a lifting unit with a self leveling basket mounted on fixed arm that can be exclusively controlled by the operator from inside the basket. The lift is attached to the 3-point linkage of a tractor that provides both mechanical support and the hydraulic power required. Monoelevatore h6 has been jointly engineered by D'Amico and the Faculty of Engineering of the University of Bari, Italy. Originally meant to offer a low cost attachment for farming works like orchard and olive trees maintenance and fruits picking, Monoelevatore h6 has proven suitable for many other works like municipal maintenance of green (park and street trees, for example), telephone and electric lines, street boards, buildings, visual check of bridges, positioning and removing of temporary advertising, etceteras. Monoelevatore h6 is engineered according to CE norms as well as according to the directives 2006/42/CE. It features a hydraulic system to control all movements as well as a pneumatic system with built-in air compressor to feed pneumatic tools like saws, shears, pneumatic wrenches, grinders, drills, paint sprayers and more so that basket is an independent working station.



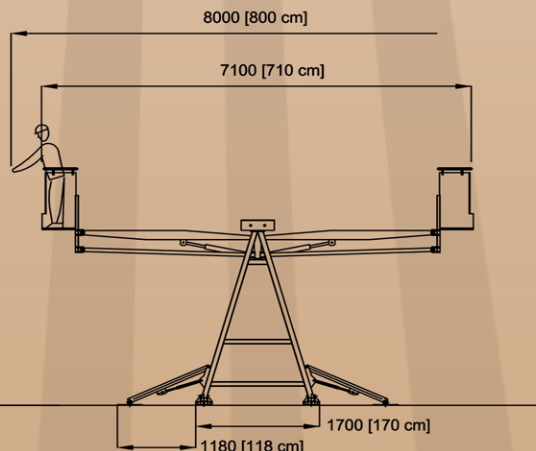
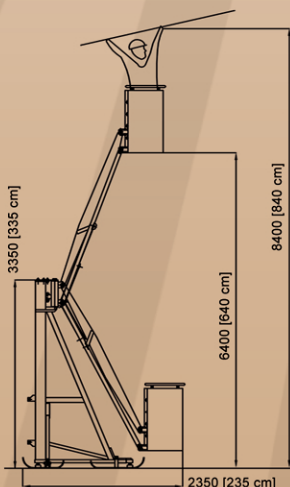
## TECHNICAL FEATURES

- Minimum tractor power: 50 HP.
- PTO: 540 rpm.
- Swing: 180°
- Weight: 715 Kg.
- Max load on basket: 120 Kg.
- Max basket platform height: 6.40 mt.
- Max working height: 8.40 mt.
- Max arm span: 4.00 mt.



## OPTIONAL FEATURES on request

- Pneumatic tools: compressor, saw, shear, olive rake harvester, hedge cutter, etc.
- Hydraulic outriggers.



**Dealer:**